

eL200K Digital Light Meter

User Manual

Features:

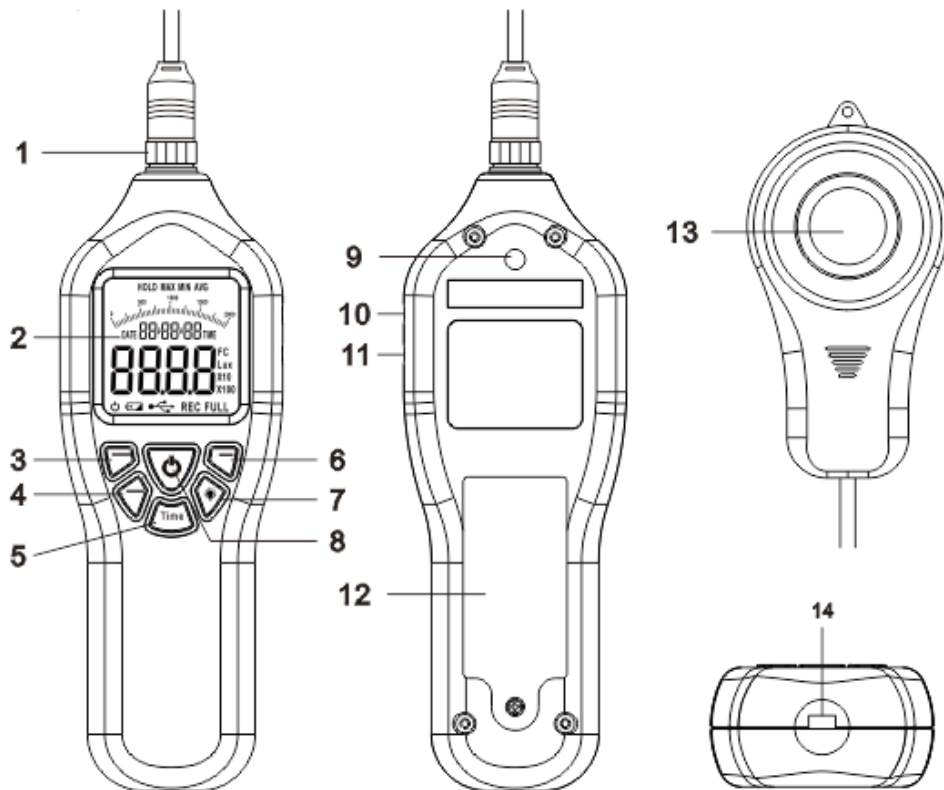
- Light Measurement up to 200,000 lux (Auto-Ranging)
- Large Display with backlight
- Switch between Lux and Foot candle units
- Data Hold function
- Min/Max/Average Display
- Detachable sensor
- Time and date switch and setting function
- Bar graph display
- Low power indicator
- Tripod Mount (Tripod not included)

Important Notes:

Do not store or operate the instrument at high temperatures or in a high humidity environment.

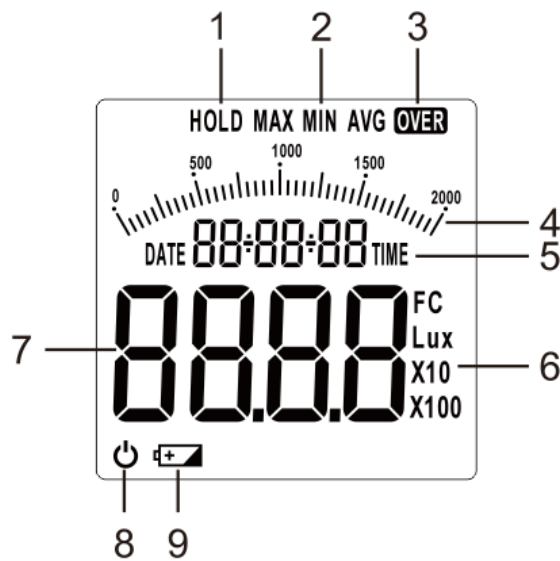
If the meter will be out of use for a prolonged period remove the batteries.

Product Description:



1. Light sensor connector
2. LCD display
3. Hold button
4. Max button
5. Time/Date button
6. Fc/Lux button
7. Backlight button
8. Power on/off button
9. Tripod mounting thread
10. AC output jack (for analog output)
11. DC output jack (for analog output)
12. Battery cover
13. Light sensor
14. USB socket (for optional external power adapter)

LCD display



1. Hold mode symbol
2. Max/Min/Avg reading mode symbol
3. Over-range indicator
4. Bar graph display
5. Time and Date display
6. Light units
7. Digital value of measured light intensity
8. Power symbol (Auto-shutdown disabled)
9. Low battery warning symbol

Operation:

1. Turning the Light Meter On and Off

Press the **Power button** to turn the meter on. Press it again to turn it off.

After 5 minutes without any operation the meter will automatically power off. To disable the Auto-Power-Off hold the **Units button** down while turning the unit on, then let go of the **Units button**. You will see the Power Symbol appear on the LCD, indicating that the auto-power-off feature is disabled.

2. Hold Function

Press the **Hold button** to enter and exit data hold mode. When in Hold mode, all readings will be frozen.

3. MAX Value Measurement Function

Press the **MAX button** to capture the maximum light intensity. The reading will remain unchanged until a higher reading is detected. Press the **MAX button** again to exit this mode.

4. Switching Units

Press the **Units button** to switch between Fc (foot candle) and Lux.

5. Backlight


Press the **Backlight button** to turn the backlight on or off.

6. Date and Time

Press the **Date and Time button** to switch between date and time display.

To Set Date and Time: Start by turning the meter off. Hold down the **Hold button**, then **briefly** press the **Power button** and **release both Power and Hold buttons at about the same time**. This will cause the meter to enter date and time setup mode. Only the time will appear on the display and the first digit will flash. Use the **Hold button** (left) and **Units button** (right) to choose the digit to set. Use the **Max button** (-) and **Backlight button** (+) to adjust the value. You can set both time and date this way. When done, press the **Time button** to store the time and date you have selected.

Battery Replacement:

If the meter does not power on properly or the low battery icon  appears on the LCD display, replace the batteries as soon as possible. Use a screwdriver to unscrew the battery compartment cover on the back of the unit and insert four new 1.5V AA batteries. Make sure the polarity is correct (match the positive and negative terminals according to the diagram inside the battery compartment.) Reinstall the battery cover.

Please make sure to properly recycle the old batteries in an environmentally friendly manner.

External Power:

The unit can be powered with the included USB cable, connected to a standard USB power adapter or port.

Tripod Mount:

Mounting the sound meter on a camera tripod (not supplied) will increase the stability and accuracy of the meter by eliminating any sound generated by the user.

Specifications:

- **Measurement Range:** 1 to 200,000 Lux (0.1 to 18581 Fc)
- **Accuracy:** $\pm 4\%$ (0.1-10,000 Lux); $\pm 10\%$ above 10,000Lux
- **Resolution:** 1 Lux / 0.1 Fc
- **Sampling Time:** 500 ms
- **Analog Outputs:**
 - DC output: DC voltage proportional to the measured illuminance. 200,000 lux correspond to a 3.3V full scale output (16.5 microvolts per lux).
 - AC output: PWM signal
- **Operating temperature:** 32 to 122 °F (0 to 50 °C)
- **Operating humidity:** 10 to 90 %RH
- **Storage temperature:** 14 to 140 °F (-10 to 60 °C)
- **Storage humidity:** 10 to 75 %RH
- **Size:** 9.5"x2.5"x1.5" (240*65*38 mm) , detachable sensor with 3ft/1m cable
- **Weight:** 10.6 oz (300 g), batteries included

Light Meter ennoLogic eL200K

Made in China

User Manual Version 1.2. Revised 3/18/2019.

© 2019 ennoLogic®. All rights reserved.

PO Box 25207, Eugene, OR 97402 U.S.A.

<http://ennologic.com>

ennoLogic[®]